

INSTRUCTION MANUAL

Orion AutoTracker™ Tripod

#8976

Congratulations on your purchase of a quality Orion product. These sturdy aluminum tripods provide solid support for your AutoTracker mount and are designed for either indoor or outdoor use.

To get the most from your new tripod, please take a few minutes to read these instructions.

Refer to the labeled figure for the names of specific parts of the tripod.



**ORION**
TELESCOPES & BINOCULARS
AN EMPLOYEE-OWNED COMPANY

Corporate Offices: 89 Hangar Way, Watsonville CA 95076 - USA
Toll Free USA & Canada: (800) 447-1001
International: +1(831) 763-7000
Customer Support: support@telescope.com

Copyright © 2021 Orion Telescopes & Binoculars. All Rights Reserved. No part of this product instruction or any of its contents may be reproduced, copied, modified or adapted, without the prior written consent of Orion Telescopes & Binoculars.

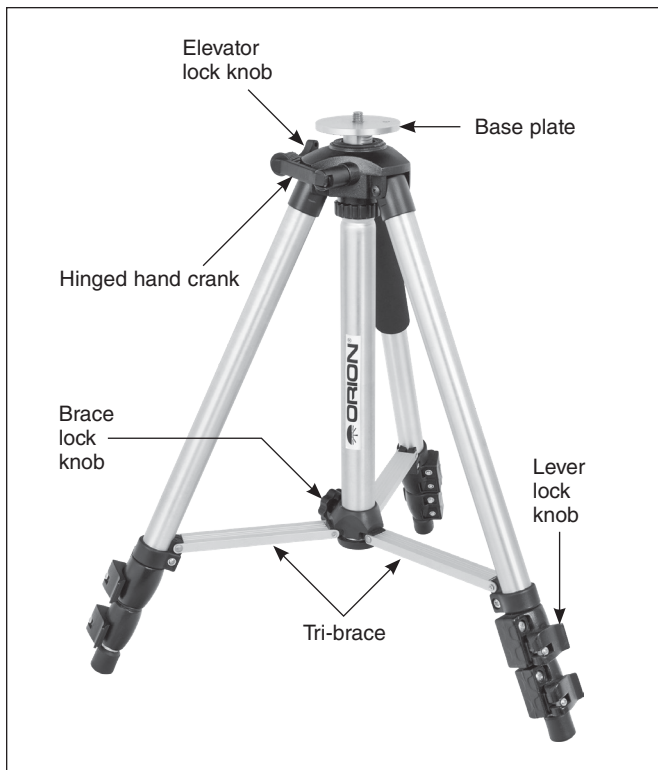


Figure 1. The AutoTracker Tripod.

Adjusting the Tripod's Stance

Loosen the brace lock knob and open the tripod legs to their widest position. Move tri-brace to bottom of shaft, and then retighten the tri-brace lock knob in order to achieve best stability.

Adjusting the Legs

Your tripod comes fully assembled. Note that each leg has two telescoping sections. To extend a leg, loosen the lever lock knob, and then extend the leg. When it has been extended to the desired length, tighten the lever knob back down.

Before mounting the AutoTracker mount on the tripod it is a good idea to press down gently on the base plate to make sure the legs are locked securely and will not give way under the instrument's weight.

Mounting the AutoTracker Mount onto the Tripod

Position screw hole underneath AutoTracker mount to meet screw on top of base plate. Rotate mount to tighten screw. Keep rotating until firmly attached. Once mounted the tripod legs may need to be adjusted. Use the bubble level built into the AutoTracker mount to achieve precise leveling.

Raising and lowering the base plate

To raise or lower the base plate, first loosen the elevator lock knob. Then use the hinged hand crank to move the aluminum rack-and-pinion elevator shaft up or down. Retighten the elevator lock knob to secure the instrument at the new height.

General Care and Cleaning

If the tripod is used in wet conditions, dry it completely with a soft cloth after use. Clean the tripod with mild detergent and a soft cloth.

Specifications

Height fully extended:	54.5"
Height folded:	18.5"
Weight:	4.2 lbs
Capacity:	13 lbs 2 oz

WARNING: Never look directly at the Sun with the naked eye or with a telescope – unless you have a proper solar filter installed over the front of the telescope! Otherwise, permanent, irreversible eye damage may result.

One-Year Limited Warranty

This Orion product is warranted against defects in materials or workmanship for a period of one year from the date of purchase. This warranty is for the benefit of the original retail purchaser only. During this warranty period Orion Telescopes & Binoculars will repair or replace, at Orion's option, any warranted instrument that proves to be defective, provided it is returned postage paid. Proof of purchase (such as a copy of the original receipt) is required. This warranty is only valid in the country of purchase.

This warranty does not apply if, in Orion's judgment, the instrument has been abused, mishandled, or modified, nor does it apply to normal wear and tear. This warranty gives you specific legal rights. It is not intended to remove or restrict your other legal rights under applicable local consumer law; your state or national statutory consumer rights governing the sale of consumer goods remain fully applicable.

For further warranty information, please visit www.OrionTelescopes.com/warranty.



Corporate Offices: 89 Hangar Way, Watsonville CA 95076 - USA
Toll Free USA & Canada: (800) 447-1001
International: +1(831) 763-7000
Customer Support: support@telescope.com

Copyright © 2021 Orion Telescopes & Binoculars. All Rights Reserved. No part of this product instruction or any of its contents may be reproduced, copied, modified or adapted, without the prior written consent of Orion Telescopes & Binoculars.