

## Orion® VersaGo E-Series Altazimuth Mount #52587

*Congratulations on your purchase of a quality Orion product. The VersaGo E-Series Altazimuth Mount is a sturdy and versatile single-arm mount designed for use with spotting scopes, small telescopes and binoculars. Its simple, lightweight design makes setting up and using the mount quick and easy. Whether you're exploring scenic daytime vistas or scanning the night skies, you will find yourself observing more and fussing with equipment less when using the VersaGo E-Series mount.*

These instructions will help you set-up, properly use, and care for your mount. Please read them over carefully before getting started.

### Included Parts

Unpack all of the parts and lay them out in your workspace. Make sure all the parts list below and shown in **Figure 2** are present. Save the shipping box and packaging material. In the unlikely event that you need to return the mount, you must use the original packaging. Initial assembly of the mount is easy and should take only about 15 minutes.

### Parts List

Open the backpack (A) and remove and identify all parts, using the list below and **Figure 1** for reference.

#### Included Parts

- A – Tripod
- B – Altazimuth arm
- C – Accessory tray and leg brace
- D – Micro-motion cables (short and long)

### Assembly

1. Stand the tripod (A) upright and spread the legs apart a little. Keep the tripod legs at their shortest (fully retracted) length for now; you can extend them to a more desirable length later, after the mount is fully assembled.
2. To attach the accessory tray (C), place a hooked tab on one of the three corners of the tray over the screw in the leg collar, as shown in **Figure 3A**. Connect the tray to the other two legs in the same manner (**3B**), then tighten all three of the tray lock knobs (**3C**) to secure the tray in place.
3. Now you'll install the altazimuth arm (B) onto the tripod. Remove the azimuth tension knob and washer from the center shaft on the bottom of the arm. Then place the base of the arm on the tripod's mounting platform, inserting the center shaft into the hole



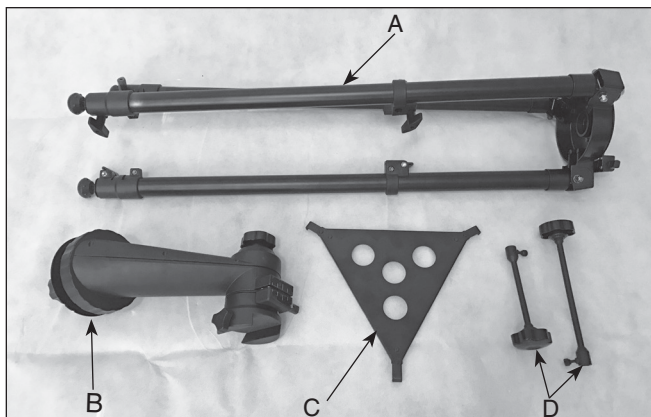
**Figure 1.** The fully assembled VersaGo E-Series Altazimuth Mount

- in the tripod's mounting platform. Then replace the washer and azimuth tension knob to secure the arm in place (**Figure 4**).
4. Attach the two micro-motion cables (D). The shorter of the two is usually preferred for the altitude axis and the longer one for the azimuth axis. Loosen the thumbscrew at the end of the cable, then line up the cable end so that the thumbscrew is

**WARNING:** *Never look directly at the Sun through your telescope—even for an instant—without a professionally made solar filter that completely covers the front of the instrument, or permanent eye damage could result. Young children should use this telescope only with adult supervision.*



Corporate Offices: 89 Hangar Way, Watsonville CA 95076 - USA  
Toll Free USA & Canada: (800) 447-1001  
International: +1 (831) 763-7000  
Customer Support: support@telescope.com



**Figure 2.** Included parts of the VersaGo E-Series Mount.

over the flat side of the axle on each axis (**Figure 5**). Press the cable end over the axle, then tighten the thumbscrew to secure the cable in place. The thumbscrew should protrude down into the dimple in the axle, to insure that the cable will not slip off the axle.

The mount is now fully assembled and should look like **Figure 1**.

### Attaching an Instrument to the VersaGo E-Series Mount

The E-Series Altazimuth Mount features a dovetail mounting saddle (**Figure 6**) that accommodates Vixen-style mounting bars. Slide the dovetail bar attached to your instrument into the saddle, then secure it in place by tightening the saddle lock knob. Since the saddle is perpendicular to the ground, some instruments may require that you purchase an optional L-bracket such as the Orion #5052 Dovetail L-Bracket for VersaGo Telescope Mount to allow a more convenient upright orientation of the instrument.

### Using the VersaGo E-Series Mount

The VersaGo E-Series mount allows motion in two axes: altitude (up and down) and azimuth (left and right). Hence, the VersaGo

E-Series is an “altazimuth” mount. To make coarse movements of your instrument, loosen the azimuth tension knob and/or the altitude tension knob (**Figure 7**) to slew the instrument to your target. Then lightly retighten the knob(s). When set to the proper tension – not too tight and not too loose -- you should be able to move the instrument without having to adjust the tension knobs each time. The friction will be sufficient to allow the instrument to move but also to stay put when you let go of it to observe. To make finer directional adjustments to the instrument, turn the hand knobs on the micro-motion cables.

The azimuth axis is rotatable 360 degrees and the altitude axis has 180 degrees of motion.

### Tripod Height Adjustment

There is a leg extension segment on each tripod leg to allow quick height adjustment. Simply loosen the winged leg lock knobs half a turn or so, extend the leg to the desired length, then retighten the winged knobs.

### Tripod Feet

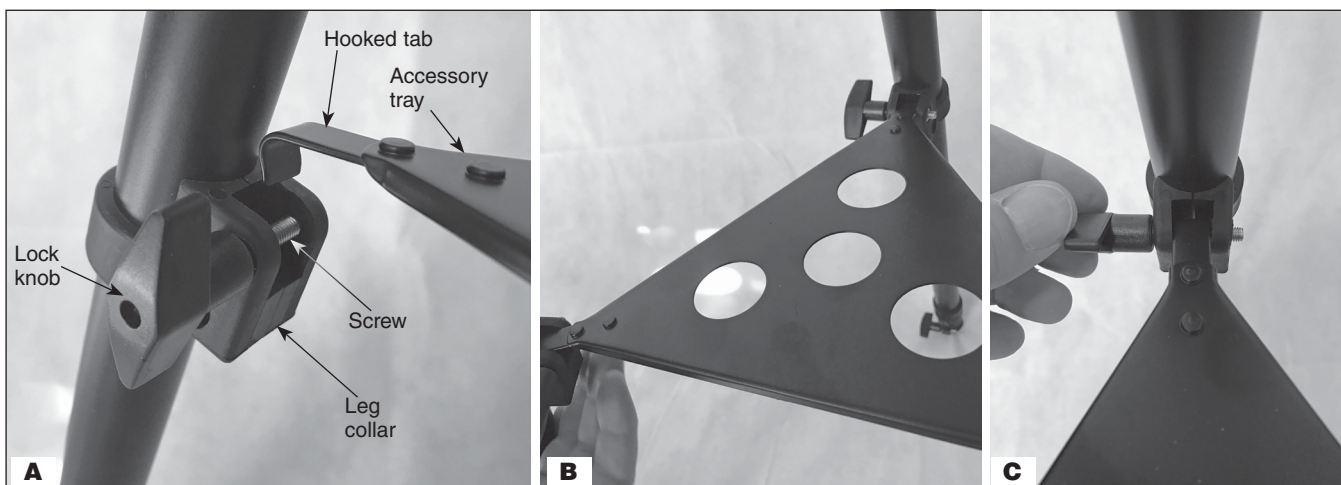
Note that at the bottom of each tripod leg is a rubber foot. If desired, the foot can be retracted by rotating it clockwise to expose a metal spike, when needed for extra grip on slippery surfaces (**Figure 8**). If the spikes are not needed, rotate the rubber foot counterclockwise until the spike is recessed in the foot and no longer protruding.

### Accessory Tray

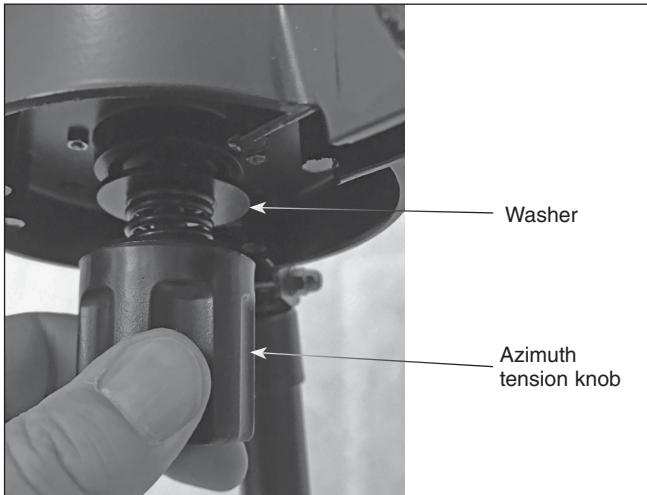
The triangular accessory tray acts as a tripod leg brace as well as a storage rack for 1.25" telescope eyepieces or accessories. The four holes in the tray accommodate the barrels of 1.25" accessories.

### Care and Maintenance

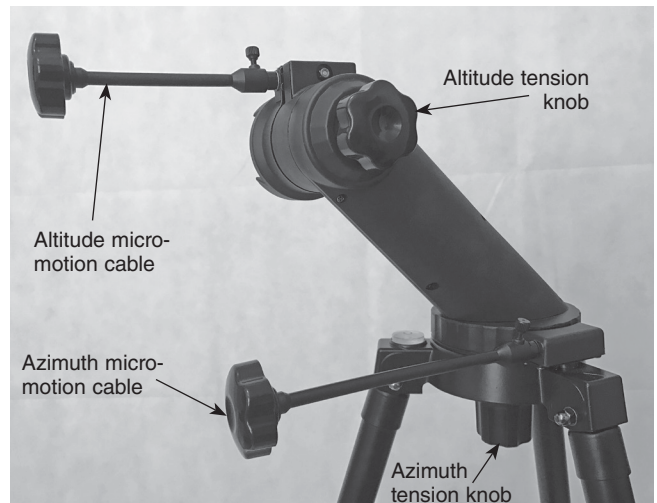
If you give your VersaGo E-Series mount reasonable care, it will last a lifetime. Store it in a clean, dry, dust-free place. Do not store the mount outdoors, although keeping it in a garage or shed is OK.



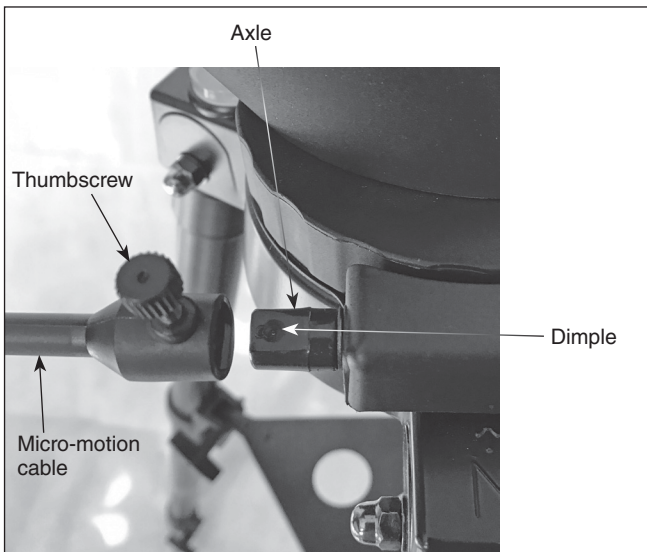
**Figure 3. A)** Hook the tray corner over the screw in the leg collar, **B)** Repeat for the other two legs, then **C)** Tighten all three tray lock knobs



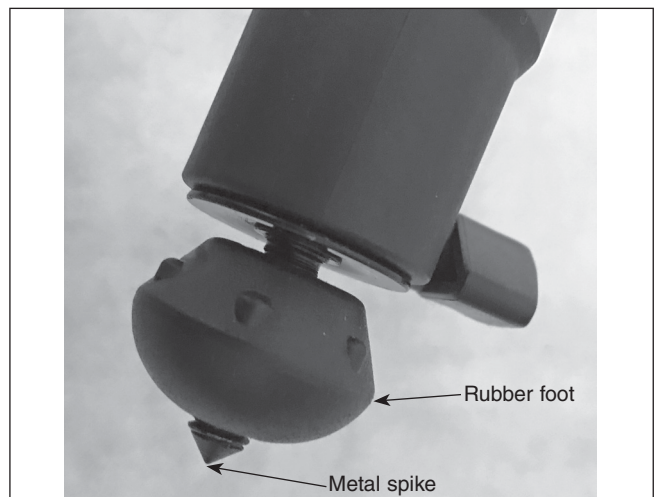
**Figure 4.** Secure the altazimuth arm to the tripod with the washer and azimuth tension knob.



**Figure 7.** The mount has two large tension knobs and two micro-motion cables to allow precise movement of your instrument.



**Figure 5.** When attaching the micro-motion cables, make sure the thumbscrew is directly over the dimple on the flat side of the axle.



**Figure 8.** Rotate the rubber feet to expose or hide metal spikes for grip on slippery surfaces.



**Figure 6.** The dovetail saddle allows secure attachment of your instrument, or of an optional L-bracket.

### Specifications

<b>Mount:</b>	Alt-azimuth
<b>Azimuth range:</b>	360 degrees
<b>Altitude range:</b>	180 degrees
<b>Saddle:</b>	Vixen-style dovetail
<b>Maximum load capacity:</b>	11 lbs.
<b>Height, legs extended:</b>	57-1/4"
<b>Height, legs retracted:</b>	36"
<b>Dimensions collapsed:</b>	37.5" x 9"
<b>Assembled weight:</b>	8 lbs. 5 oz.

---

## One-Year Limited Warranty

This Orion product is warranted against defects in materials or workmanship for a period of one year from the date of purchase. This warranty is for the benefit of the original retail purchaser only. During this warranty period Orion Telescopes & Binoculars will repair or replace, at Orion's option, any warranted instrument that proves to be defective, provided it is returned postage paid. Proof of purchase (such as a copy of the original receipt) is required. This warranty is only valid in the country of purchase.

This warranty does not apply if, in Orion's judgment, the instrument has been abused, mishandled, or modified, nor does it apply to normal wear and tear. This warranty gives you specific legal rights. It is not intended to remove or restrict your other legal rights under applicable local consumer law; your state or national statutory consumer rights governing the sale of consumer goods remain fully applicable.

For further warranty information, please visit [www.OrionTelescopes.com/warranty](http://www.OrionTelescopes.com/warranty).



**Corporate Offices:** 89 Hangar Way, Watsonville CA 95076 - USA  
**Toll Free USA & Canada:** (800) 447-1001  
**International:** +1(831) 763-7000  
**Customer Support:** [support@telescope.com](mailto:support@telescope.com)

*Copyright © 2020 Orion Telescopes & Binoculars. All Rights Reserved. No part of this product instruction or any of its contents may be reproduced, copied, modified or adapted, without the prior written consent of Orion Telescopes & Binoculars.*